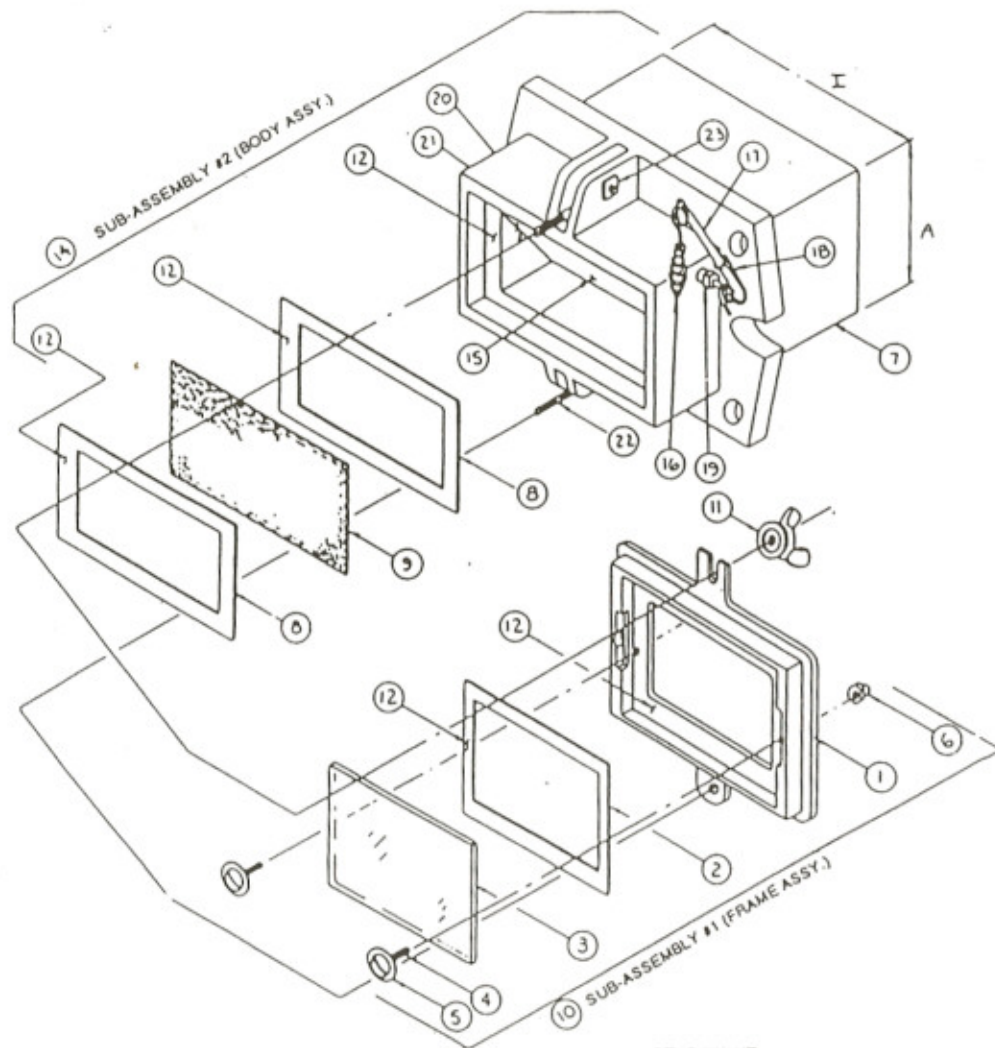
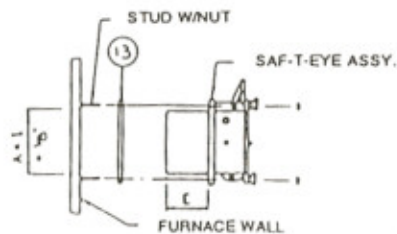


# MAINTENANCE AND INSTALLATION INSTRUCTIONS FOR TATE-JONES SAF-T-EYE FURNACE VIEWPORT



Above assembly is a Pressure-Tight Model. The Standard Model contains no sealant, (part #12).



INSTALLATION

## MAINTENANCE & INSTALLATION FOR PRESSURE TITE SAF-T-EYE

CLEANING OR REPLACING OF GLASS CAN BE DONE WHILE EQUIPMENT IS IN OPERATION. TO CLEAN THE INTERIOR OF THE GLASS THE FRAME (10) MUST BE REMOVED FROM THE BODY (14) OF THE SAF-T-EYE. WHEN THIS IS DONE, THE SAF-T-EYE IS NO LONGER CONSIDERED PRESSURE TITE. WE RECOMMEND THIS PROCEDURE (AS SHOWN IN SUB-ASSY. #1 & #2) BE USED ONCE THE GLASS HAS BEEN CLEANED OR REPLACED BEFORE THE EQUIPMENT IS PUT BACK INTO OPERATION.

### COMPONENTS OF ASSEMBLY

- (10) SUB-ASSEMBLY #1 (FRAME ASSY.)  
 APPLY 1/8" BEAD OF SEALANT (12) TO INTERIOR UP OF FRAME (1). PLACE FRAME GASKET (2) ONTO SEALANT (12). REPEAT WITH 1/8" BEAD OF SEALANT (12). POSITION GLASS (3) INTO PLACE ON SEALANT (12). POSITION TRUSS HEAD GASKETS (5) OVER HOLES IN INTERIOR OF FRAME (1) & PLACE TRUSS HEAD BOLTS (4) THRU HOLES. PLACE ACORN NUTS (6) OVER TRUSS HEAD BOLTS (4) ON EXTERIOR OF FRAME (1) & TIGHTEN WITH EXTREME CARE OR GLASS MAY BREAK.
- (14) SUB-ASSEMBLY #2 (BODY-ASSY.)  
 APPLY 1/8" BEAD OF SEALANT (12) TO INTERIOR UP OF BODY (7). PLACE GASKET (8) ONTO SEALANT (12). REPEAT WITH SEALANT (12). PLACE SCREEN (9) ONTO SEALANT (12). PLACE GASKET (8) ONTO SCREEN (9). REPEAT WITH SEALANT (12). PLACE ASSEMBLED FRAME (10) ONTO SEALANT (12). POSITION METAL WASHERS & WING NUTS (11) IN PLACE & TIGHTEN.

PARTS LIST	
1	FRAME
2 *	FRAME GASKET
3 *	GLASS
4	TRUSS HEAD BOLTS (2 PER UNIT)
5	TRUSS HEAD GASKETS (2 PER UNIT)
6	ACORN NUTS (2 PER UNIT)
7	BODY
8 *	BODY GASKET (2 PER UNIT)
9 *	S.S. SCREEN
10	SUB-ASSEMBLY #1 (FRAME ASSY.)
11	WING NUTS & METAL WASHERS (2 EA. PER UNIT)
12 *	SEALANT
13 *	MTG. FLANGE GASKET
14	SUB-ASSEMBLY #2 (BODY ASSY.)
15	SHUTTER
16	WIRE DROP HANDLE
17	HANDLE ROD
18	TORSION SPRING
19	COMPRESSION FITTING W/PACKING
20	PIPE PLUG W/NUT
21	PIPE PLUG
22	EYE BOLTS
23	BOLT WASG. NUTS
	*
	* INDICATES RECOMMENDED SPARE PARTS

### INSTALLATION INSTRUCTIONS

CUT HOLE IN FURNACE WALL APPROX. 1/8" LARGER THAN THE A & I DIMENSIONS. POSITION STUDS PROVIDED BY CUSTOMER. PLACE FLANGE GASKET (13) TO FLANGE ON SAF-T-EYE ('E' DIMENSION). INSERT INTO FURNACE WALL OPENING. SECURELY TIGHTEN NUTS ON STUDS. SEE CATALOG DIMENSION SHEET FOR STUD LOCATION & FURNACE WALL HOLE DIMENSIONS.

<b>TATE-JONES, INC.</b>	
4065 WINGAP AVE. PITTSBURGH, PA 15204 Phone 412-771-4200	
DESCRIPTION MAINTENANCE & INSTALLATION FOR PRESS. TITE SAF-T-EYE	
Own by:	Date:
Checked by:	Date:
Rough Wgt	Scale:
Machined Wgt	Picture No.
Tolerances Unless Otherwise Specified Fractions Dec Ang	