

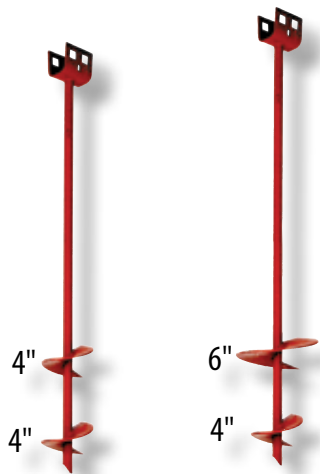
Offering a full range of anchoring and tie down systems including:

- Anchors
- Pan Systems
- Jacks and Piers
- Boards and Wedges
- Pier Pads
- Pipe Straps and Buckles
- Poly Film
- Tools
- Metal Flashing

BE SURE TO CONSULT LOCAL REGULATORS FOR CODE QUESTIONS AND THE MANUFACTURERS INSTALLATION MANUAL FOR PROPER MATERIALS.



PAINTED TWIN DISK ANCHORS



- 486012M 30" x 3/4" W/TWIN 4 HELIX
- 48364634M 36" x 3/4" W/1-4" & 1-6" HELIX

GALVANIZED TWIN DISK ANCHOR

CODE APPROVED IN MANY AREAS
GALVANIZED



- 4859097 60" x 3/4" x 24"
- 481271G 30" x 3/4" SHAFT W/TWIN 4" HELIX GALVANIZED
- 481346G 36" x 3/4" SHAFT W/1-4", 1-6" HELIX GALVANIZED

GALVANIZED ANCHORS

SINGLE DISK

MEETS FL & OTHER STATE CODES FOR CERTAIN APPLICATIONS/GALVANIZED



- 486050G 24" LONG x 5/8" ROD W/6"HELIX
- 486013G 48" LONG x 5/8" ROD W/6"HELIX
- 486030G 48" LONG x 3/4" ROD W/6"HELIX
- 486057G 60" LONG x 3/4" ROD W/7"HELIX

EZ ANCHOR® MM BELLED ANCHORS



- 481592 30" x 3/4" SHAFT W/2"-4" HELIX PAINTED
- 481593 36" x 3/4" SHAFT W/6"-4" HELIX PAINTED
- 481592G 30" x 3/4" SHAFT W/2"-4" HELIX GALVANIZED

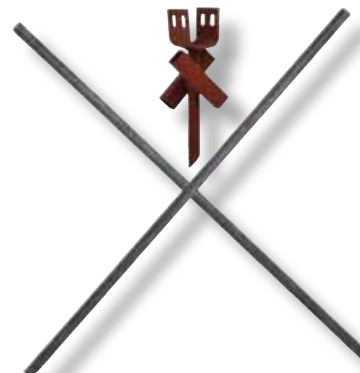
DEEP-SET ANCHOR TIE DOWN



- 4859091 ANCHOR DEEP SET 3/4" x 30" PAINTED
- 4859092 ANCHOR DEEP SET 3/4" x 36" PAINTED

CROSS "X" DRIVE ANCHORS

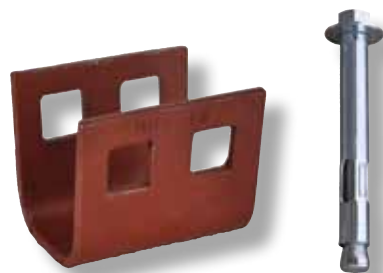
PAINTED / GALVANIZED



- 481360 "X" CROSS DRIVE HEAD ONLY 33" x 3/4"
- 481380 "X" CROSS DRIVE RODS ONLY 33" x 3/4"

CONCRETE ANCHORS

FOR USE IN WET OR CURED CONCRETE



- 486001 DOUBLE TENSION HEAD PAINTED
- 482388 DOUBLE TENSION HEAD GALVANIZED
- 481061 BOLT ANCHOR CONCRETE 5/8" x 3"

CONCRETE ANCHORS

FOR USE IN WET OR CURED CONCRETE



- 481445 "J" HOOK SWIVEL HEAD PAINTED
- 481445G "J" HOOK SWIVEL HEAD GALVANIZED

CORAL MOBILE HOME

SPECIALTY ANCHOR

LIMITED CODE APPROVAL



- 481278 36" x 5/8" W/3 BARBS 312/SKID

FRAME HOOK W/ STRAP



- 48102106 6' STRAP 1200 / SKID
- 48102107 7' STRAP 1200 / SKID
- 48102108 8' STRAP 1200 / SKID
- 48102110 10' STRAP 600 / SKID
- 48102112 12' STRAP 600 / SKID
- 48102114 14' STRAP 600 / SKID
- 48102116 16' STRAP 600 / SKID
- 48102118 18' STRAP 600 / SKID

DOUBLE SLOT BUCKLE W/ STRAP



- 48102206 6' STRAP 1200 / SKID
- 48102207 7' STRAP 1200 / SKID
- 48102208 8' STRAP 1200 / SKID
- 48102210 10' STRAP 600 / SKID
- 48102212 12' STRAP 600 / SKID
- 48102214 14' STRAP 600 / SKID

SWIVEL STRAP CONNECTOR W/STRAP

MEETS FLORIDA CODE



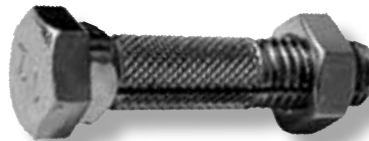
- G120 - 8 PER BUNDLE
- 48102505 SWIVEL STRAP CON. W/5' STRAP
 - 48102506 SWIVEL STRAP CON. W/6' STRAP
 - 48102507 SWIVEL STRAP CON. W/7' STRAP
 - 48102508 SWIVEL STRAP CON. W/8' STRAP
 - 48102512 SWIVEL STRAP CON. W/12' STRAP
 - 48102514 SWIVEL STRAP CON. W/14' STRAP

UNIVERSAL QUICK ASSEMBLY WITH STRAP



- 4859206 QUICK ASSEMBLY WITH 6' STRAP
- 4859208 QUICK ASSEMBLY WITH 8' STRAP

SLOTTED SPLIT BOLT & NUT



- 482010 SLOTTED SPLIT BOLT/NUT

GALVANIZED STRAP

G60 & G120



G60 GALVANIZED STANDARDS

- 48102100 1-1/4" x 600' G60
- 48102370 1-1/4" x 37' G60

G120 GALVANIZED STANDARDS (FLORIDA)

- 48102600 1-1/4" x 600' G120
- 48102375 1-1/4" x 37' G120

STRAP SEAL



48101014 FOR 1-1/4" STRAP
1,000/CTN

FRAME HOOK



48101100 FRAME HOOK ONLY-50/CTN

DOUBLE SLOT STRAP BUCKLE



48101200 BUCKLE ONLY-50/CTN

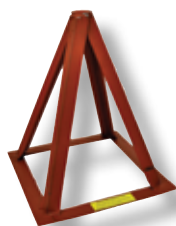
HEAVY DUTY ROOF BRACKET



4859145 GALVANIZED—24/CTN

MOBILE HOME BLOCKING PIERS

STEEL PIERS WITH 4" ADJUSTABLE HEAD
(MAXIMUM EXTENSION 2" HUD CODE)

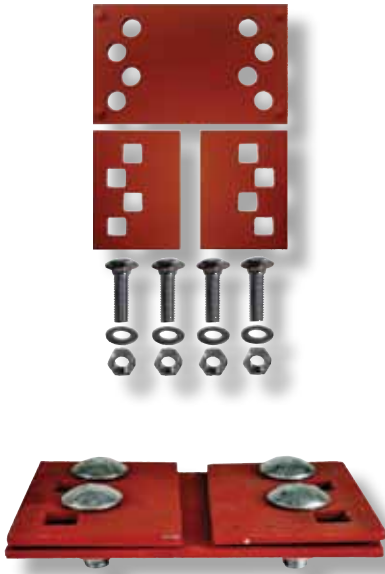


PIER HEAD

- 033001 PIER HEAD W/NUT 40/BOX
- 033008 PIER STEEL 8" RED
- 033010 PIER STEEL 10" RED
- 033012 PIER STEEL 12" RED
- 033014 PIER STEEL 14" RED
- 033016 PIER STEEL 16" RED
- 033018 PIER STEEL 18" RED
- 033020 PIER STEEL 20" RED
- 033022 PIER STEEL 22" RED
- 033024 PIER STEEL 24" RED
- 033026 PIER STEEL 26" RED
- 033028 PIER STEEL 28" RED
- 033030 PIER STEEL 30" RED



TIE 4-BOLT LONGITUDINAL FRAME



482822 TIE 4-BOLT LONGITUDIAL FRAME

LONGITUDE BEAM CLIP W/BOLT & NUT



483510 LONGITUDE BEAM CLIP W/BOLT & NUT

CLAMP-GATOR BEAM /8 BOLT



4859011 CLAMP GATOR BEAM 8 BOLT

ANGLED FRAME BRACKET W/ BOLTS AND NUTS



4859009 ANGLED FRAME BRACKET W/BOLTS AND NUTS - 24 PER BOX

BEAM CLAMP W/ BOLT AND NUT



4859003 3" BEAM CLAMP W/ BOLT AND NUT - 24/BOX
 4859004 4" BEAM CLAMP W/ BOLT AND NUT - 24/BOX
 4859005 DOUBLE BEAM CLAMP W/ BOLT AND NUT - 24/CTN

QUIK-SET STABILIZER PLATE



4859291 STABILIZER PLATE 4 PER BOX; 224 SKID

PAINTED STABILIZER PLATE



48233 12" x 11-1/4" x 8GA PLATE

GALVANIZED STABILIZER PLATE



482202G 17.5" STABILIZER PLATE
GALVANIZED

PLASTIC STABILIZER PLATE



4859293 PLASTIC STABILIZER PLATE
MEETS FLORIDA REGULATIONS

HYDRAULIC BOTTLE JACK



- 6276512 12 TON, LIFT: 6-11/16" - 10-7/16" - 4/CTN
- 6276412 12 TON, LIFT: 9-7/16" - 15-5/16" - 4/CTN
- 6211001 OIL FILTER PLUG 10/BAG
- 626125 REPAIR PARTS FOR 12 TON JACK

HYDRAULIC BOTTLE JACK



6276520 20 TON, LIFT: 10-13/16" - 7-7/16"

DIGITAL LEVELING SYSTEM

ELECTRONIC WATER LEVEL CAN BE USED INSIDE OR OUTSIDE OF THE HOME



6235100 DIGITAL LEVELING SYSTEM

STRAP CRIMP TOOL
FOR ANCHOR STRAPS



621125 STRAP CRIMP TOOL FOR 1-1/4" STRAP

**POCKET PENETROMETER
AND ADAPTER FOOT**



62700 POCKET PENETROMETER
W/ CANVAS CASE
62701 ADAPTER FOOT

ANCHOR SPEED WRENCH



6248900 ANCHOR SPEED WRENCH

ANCHOR DRIVE MACHINE

HEAVY DUTY 17.25 RPM
1/2 HP DRIVE MACHINE
120V / 60 CYCLE / 9 AMP
MOTOR "ON / OFF" SWITCH
W/ FORWARD & REVERSE
DRIVE HEAD SOLD SEPARATELY (#482741)



482741 DRIVE HEAD ADAPTER
4859226 1/2 HP DRIVE MACHINE

SOIL TEST PROBE

DETERMINES SOIL TYPE FOR PROPER
ANCHOR SELECTION



4859200 SOIL TEST PROBE
W/ CARRYING CASE & TORQUE
WRENCH INSTRUCTION



BOARDS WEDGES PIERS - BOARDS



- 03170 BOARD HRDWD 1 x 8 x 16 TRT 10/BDL
- 03180 BOARD HRDWD 2 x 8 x 16 TRT 5/BDL
- 031800 BOARD HRDWD 1 x 8 x 16 N/T 10/BDL
- 0318110 BOARD HRDWD 1 x 8 x 16 P/T 10/BDL
- 03181620 BOARD PINE 1 x 8 x 16 N/T 20/BDL
- 031825 BOARD HRDWD 2 x 8 x 16 P/T 5/BDL
- 031900 BOARD HRDWD 2 x 8 x 16 N/T 5/BDL
- 03281610 BOARD PINE 2 x 8 x 16 N/T 10/BDL
- 03212830 TRVL STICKS 1-1/16 x 5/8 x 8' PLY NT
- 032905 BOARD HRDWD 2 x 8 x 16 N/T

BOARDS WEDGES PIERS - WEDGES



- 03101 WEDGE HRDWD 3 x 8 x 1 N/T 100/BG
- 03140 WEDGE HRDWD 4 x 6 x 1 TRT 25/BDL
- 0315280 WEDGE PINE 8 x 4 x 1 P/T 60/SKID
- 03154 WEDGE HRDWD 4 x 1 2 N/T 64/BD
- 03160 WEDGE HRDWD 3 x 9 X 1 N/T 25BDL
- 031805 WEDGE HRDWD 3/4 x 4 X 8 N/T 30/BDL
- 03190 WEDGE HRDWD TRTD 4 x 8 x 1 30 BDL

PIER PADS



- 0359310 PIER PAD 16" x 16", 15/BDL.
- 0359300 PIER PAD 16" x 18", 12/BDL.
- 0359309 PIER PAD 17" x 23", 10/BDL.
- 0359302 PIER PAD 17" x 25", 5/BDL.
- 0359311 PIER PAD 18.5" x 18.5", 15/BDL.
- 0359312 PIER PAD 20" x 20", 15/BDL.
- 032424 PIER PAD 24" x 24"

LAG SCREWS & WASHERS

9/16" HEX HEAD, ZINC & NO ZINC PLATED



- 653852 3/8" x 1-1/2" FLAT WASHER ZINC - 50/BAG
- 653850 3/8" FLAT WASHER ZINC - 50/BOX
- 653851 3/8" x 5" SCREW NO ZINC - 300/BOX
- 6538450 3/8" x 4" SCREW ZINC - 50/BOX
- 6538550 3/8" x 5" SCREW ZINC - 50/BOX
- 6538650 3/8" x 6" SCREW ZINC - 50/BOX

POLY FILM VAPOR BARRIER SHEETING

BLACK SHEETING - 6 MIL



- PREMIUM QUALITY
- 608146 14' x 100' BLK POLY FILM
 - 608166 16' x 100' BLK POLY FILM
 - 608206 20' x 100' BLK POLY FILM
- ECONOMY QUALITY
- 60100002 14' x 100' BLK POLY FILM
 - 60100003 16' x 100' BLK POLY FILM
 - 60100004 20' x 100' BLK POLY FILM

POLY FILM SHEETING

WHITE CLOSE UP FILM - 4MIL



- PREMIUM QUALITY
- 608120 14' x 300' Close Up Film U.V Poly Film White- 4 mil
- ECONOMY QUALITY
- 60100001 14' x 300' Close Up Film U.V Poly Film White- 4 mil

FOAM SEALER

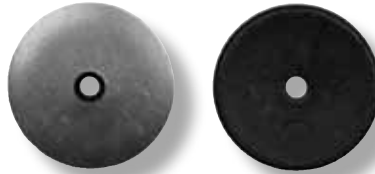
ENERGY SAVING, MULTI-USE RIDGED SILL GASKET USE AS SEALER BETWEEN HOUSE SECTIONS FILLS GAPS BETWEEN SILLPLATE AND FOUNDATION WALL AND/OR BETWEEN SECTIONS TO REDUCE HEATING/COOLING ENERGY LOSS AND LESSEN AIR FILTRATION.



605550 FOAM SEALER, 5-1/2" X 50'

RUMBLE BUTTON

1-1/8" DIA. ZINC WASHER WITH NEOPRENE BACKING FOR THE MOST RELIABLE ROOF LEAK RESISTANCE.



6001001 RUMBLE BUTTON - 100/CTN

PIPE HANGER STRAP AND STOVE BOLTS



116507 28 GAUGE GALV. 3/4" x 100'
1113038 STRAP, HANGER PLASTIC
3/4" x 100'
651434 1/4" x 3/4" STOVE BOLT
W/ NUT - 100 BOX

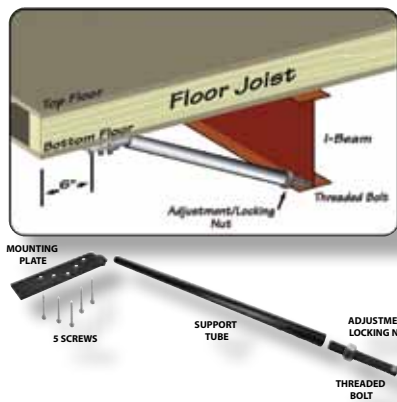
BRACE EZ JOIST



603150 BRACE EZ JOIST

ADJUSTABLE OUTRIGGER KIT

ADJUSTS TO ASSIST DOORS AND WINDOWS TO OPERATE PROPERLY (POWDER COATED)
NOTE: DOES NOT REPLACE REQUIRED DOOR BLOCKING



NOTE: KIT CONTAINS TWO OF EACH OF ITEMS SHOWN

6059363 ADJUSTABLE OUTRIGGER KIT
FOR 12' TO 14' WIDE (2 PACK)
6059365 ADJUSTABLE OUTRIGGER KIT
FOR 16' WIDE (2 PACK)

METAL FLASHING



60850 8" x 50' ALUMINUM
601050 10" x 50' ALUMINUM
6010501 10" x 50' GALVANIZED

EYE ANCHORS

GALVANIZED; WELDED EYE / GALVANIZED



485056G 30" x 1/2" ROD, 4" HELIX

EYE ANCHORS

PAINT COATED



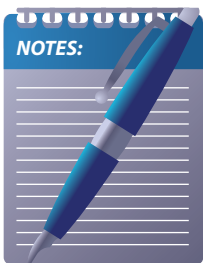
487415 15" x 1/2" ROD, 4" HELIX
487430 30" x 1/2" ROD, 4" HELIX
487648C 48" x 3/4" ROD, 6" HELIX

STORAGE BUILDING ANCHOR KIT

CONTAINS 4 ANCHORS, CABLE, & CLAMPS

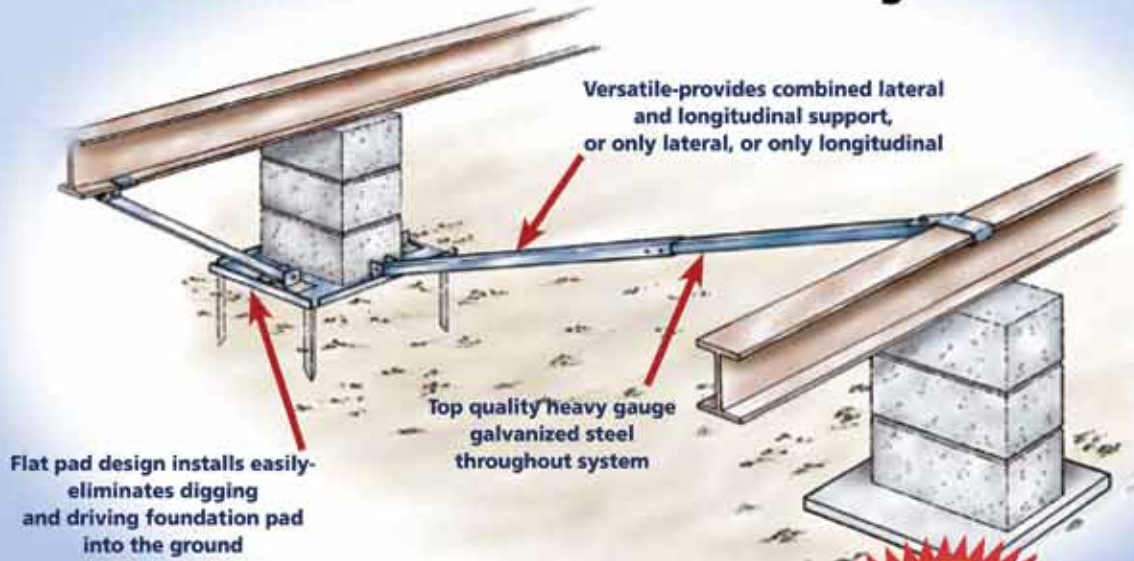


481822 15" ANCHOR LENGTH 100/SKID



Notes section with horizontal lines for writing.

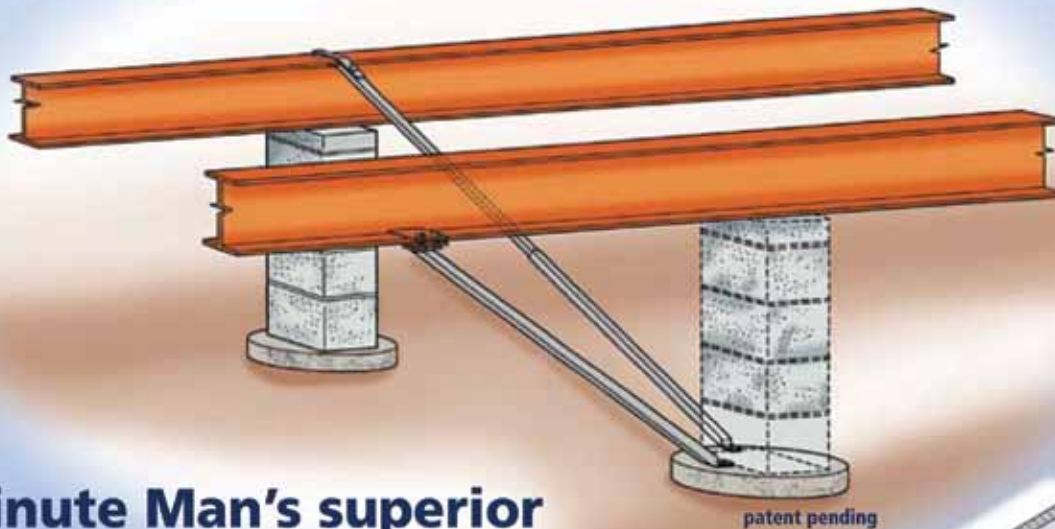
The Minute Man Foundation System for All Wind Zones Saves Time & Money!



Minute Man's superior design outperforms other brands in so many ways:

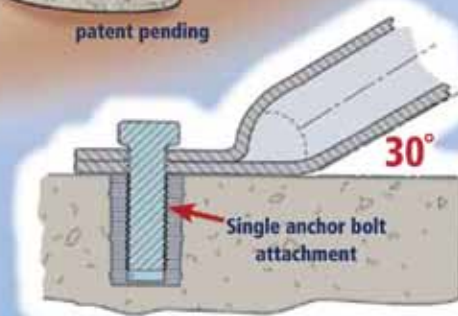
- Can eliminate or reduce frame ties, anchors and stabilizers
- Versatile and interchangeable parts easily adapt to most any foundation requirements on homes being manufactured today
- Top quality heavy gauge galvanized steel provides stability
- Adaptable to steel piers, concrete block piers and poured foundations; 20" x 20" steel pad will hold double block piers
- Versatile-provides support as needed: combined lateral and longitudinal support, or only lateral, or only longitudinal
- Easy to install on dirt or concrete.
- Neatly packaged for warehousing and transport to job site; Lateral and Longitudinal Tubes conveniently packaged in pairs with all hardware included, no separated parts to find.

Minute Man LLBS Flex Tubes for Concrete Installation!

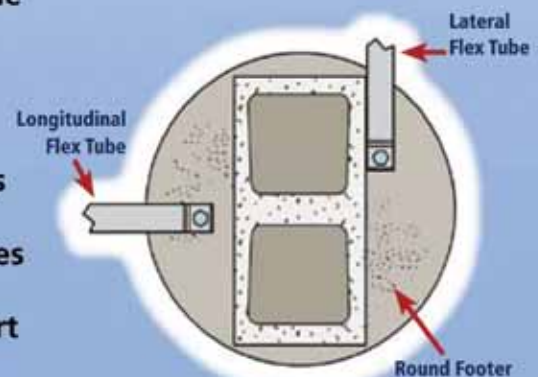


Minute Man's superior design still outperforms the other brands in so many ways:

- 4-ply folded tube for a stronger connection to the concrete
- Tubes connect directly to concrete with only one anchor bolt; less parts, less drilling
- Tubes can fit on smaller concrete footers
- Tubes easily flex from 10 degrees to 45 degrees
- Pre-assembled Beam Clips on Longitudinal Tubes
- Neatly packaged for warehousing and transport to job site; Lateral and Longitudinal Tubes conveniently packaged in pairs with all hardware included, no separated parts to find.



Each longitudinal or lateral Flex Tube is pre-bent to 30 degrees



Minute Man Anchors, Inc.
We keep things down to earth...

Minute Man Anchors

SOIL INSTALLATION COMPONENTS

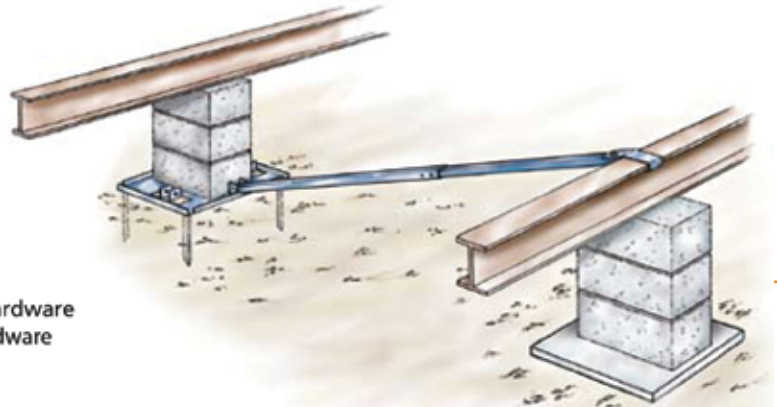
LATERAL SYSTEM

with 20" Steel Pier Pad

System Components-

- (1) Galvanized 20" Steel PierPad,
- (1) Galv. 60" Adj. Lateral Brace Tube w/Hardware

- #483521 Galv. Steel Pier Pad w/16" pins
- #483532N Galv. 60" Adj. Lateral Brace Tube w/Hardware
- #483537 Galv. 72" Adj. Lateral Brace Tube w/Hardware



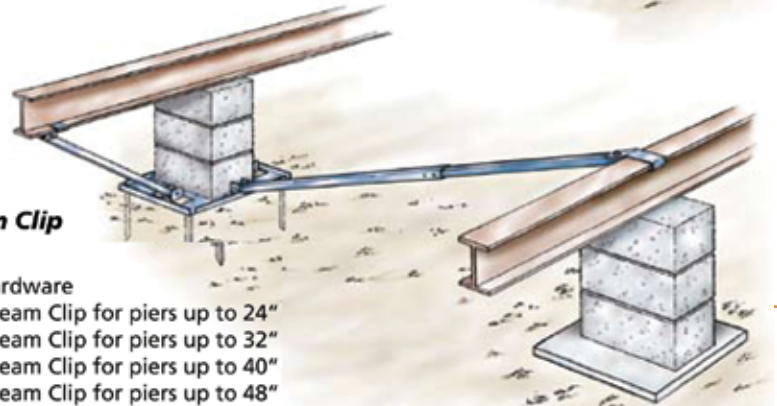
LATERAL & LONGITUDINAL SYSTEM

with 20" Steel Pier Pad

System Components-

- (1) Galvanized 20" Steel PierPad,
- (1) Galvanized Lateral Brace Tube
- (1) Galv. Longitudinal Brace Tube w/Beam Clip

- #483521 Galv. Steel Pier Pad w/16" pins
- #483532N Galv. 60" Adj. Lateral Brace Tube w/Hardware
- #483739 Galv. 39" Longitudinal Brace Tube w/Beam Clip for piers up to 24"
- #483744 Galv. 44" Longitudinal Brace Tube w/Beam Clip for piers up to 32"
- #483753 Galv. 53" Longitudinal Brace Tube w/Beam Clip for piers up to 40"
- #483765 Galv. 65" Longitudinal Brace Tube w/Beam Clip for piers up to 48"



ALL PARTS CONTAINED IN ONE NEAT PACKAGE FOR YOUR CONVENIENCE!

Lateral Brace Tubes Hardware

- 2 2" x 7-3/4" Lateral Clamps (top of beam)
- 2 1-5/8" x 2" Tube Clamps
- 2 1/2" x 1-3/8" Washers
- 2 1/2" x 1-1/2" Carriage Bolts & Nuts
- 4 1/2" x 2-1/2" Carriage Bolts & Nuts
- 8 1/4" x 3/4" Self Drilling Screws



Longitudinal Brace Tubes w/Beam Clips

- 2pk 1-1/2" sq. Galv. Steel Tube x 39", 44", 53" or 65" long
- 2 Pre-Assembled Beam Clips
- 1 Box Hardware

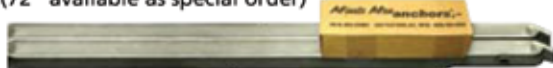
Logitudinal Brace Tubes Hardware

- 4 3-3/4" x 2-3/4" Top Cover Attachment Clips
- 8 1/2" x 1-1/4" Carriage Bolts & Nuts



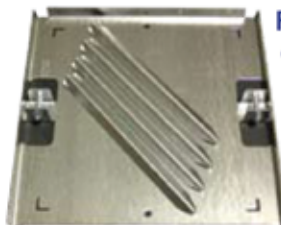
60" Adjustable Lateral Brace Tubes

- 2 1-1/2" sq. x 60" Galv. Steel Outer/Lower Tubes
- 2 1-1/4" sq. x 60" Galv. Steel Inner/Upper Tubes
- 1 Box Hardware (see below)
- (72" available as special order)



Uses adjustable galvanized tubing for easy assembly and structural integrity

Prices and specifications subject to change without notice. ALWAYS Refer to Minute Man Anchors installation instructions for your particular home, wind zone, and local jurisdiction.



Flat pad design installs easily on concrete or on soil and provides a sturdy, tight fit

Steel Pier Pad Assembly

- 1 20" Galv. Steel Pier Pad
- 4 16" Angle Drive Pins
- 2 1/2" x 2-1/2" Carriage Bolts & Nuts

Minute Man Anchors

CONCRETE INSTALLATION COMPONENTS

LATERAL SYSTEM

For Concrete Flex Tube

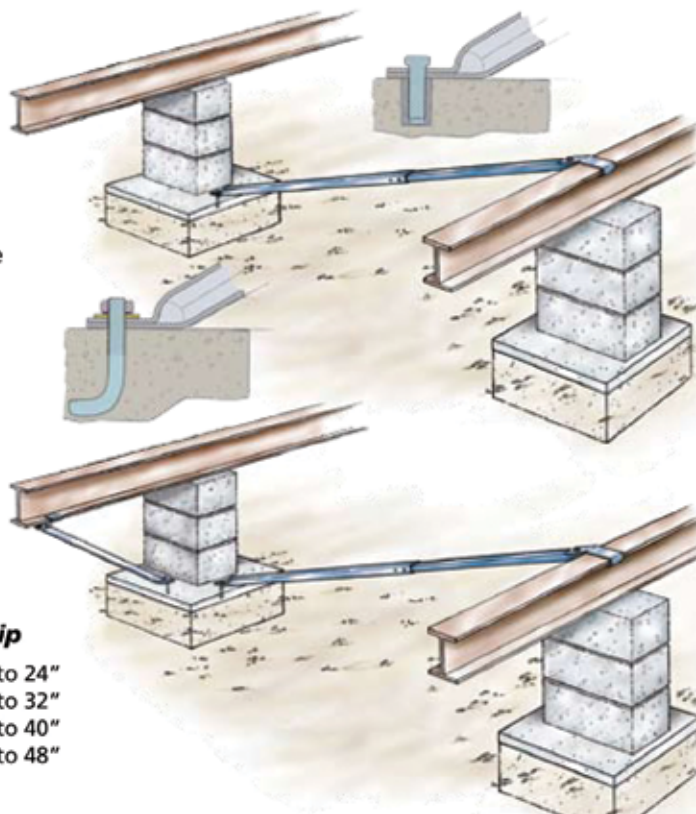
System Components-

(1) Galv. 60" Adj Lateral Brace Tube w/Hardware

#483632 Galv. 60" Adj. Lateral Brace Tube w/Hardware

#483637 Galv. 72" Adj. Lateral Brace Tube w/Hardware

#483636 J-Hook LLBS wet set



LATERAL & LONGITUDINAL SYSTEM

For Concrete Flex Tubes

System Components-

(1) Galvanized 60" Adj. Lateral Brace Tube w/Hardware

(1) Galv. Longitudinal Brace Tube w/Beam Clip

#483639 Galv. 39" Longitudinal Flex Tube for piers up to 24"

#483644 Galv. 44" Longitudinal Flex Tube for piers up to 32"

#483653 Galv. 53" Longitudinal Flex Tube for piers up to 40"

#483665 Galv. 65" Longitudinal Flex Tube for piers up to 48"

ALL PARTS CONTAINED IN ONE NEAT PACKAGE FOR YOUR CONVENIENCE!



Lateral Brace Tubes Hardware

- 2 2" x 7-3/4" Lateral Clamps (top of beam)
- 2 1/2" x 1-3/8" Washers
- 2 1/2" x 2-1/2" Carriage Bolts & Nuts
- 8 1/4" x 3/4" Self Drilling Screws
- 2 5/8" x 3" Sleeve Anchors (for dry concrete)

60" Adjustable Lateral Brace Tubes

- 2 1-1/2" sq. x 60" Galv. Steel Outer/Lower Tubes
- 2 1-1/4" sq. x 60" Galv. Steel Inner/Upper Tubes
- (72" available as special order)

Box of Hardware and Instruction Sheet



Logitudinal Brace Tubes Hardware

- 4 3-3/4" x 2-3/4" Top Cover Attachment Clips
- 8 1/2" x 1-1/4" Carriage Bolts & Nuts
- 2 5/8" x 3" Sleeve Anchors (for dry concrete)

Longitudinal Brace Tubes w/Beam Clips

- 2pk 1-1/2" sq. Galv. Steel Tube x 39", 44", 53" or 65" long
- 2 Pre-Assembled Beam Clips
- 1 Box Hardware

Box of Hardware and Instruction Sheet



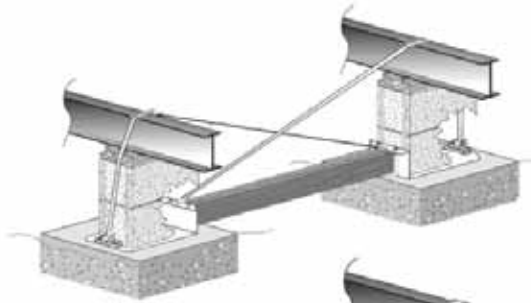
ALWAYS Refer to Minute Man Anchors installation instructions for your particular home, wind zone, and local jurisdiction.



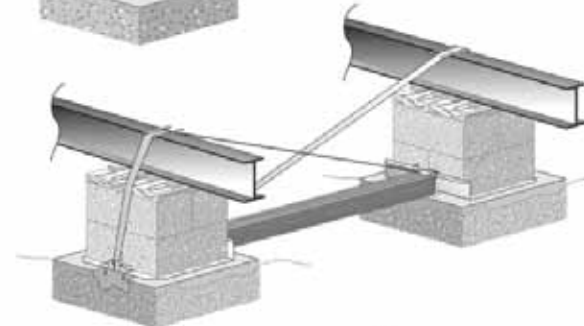
Vector Systems: Lateral Stabilization



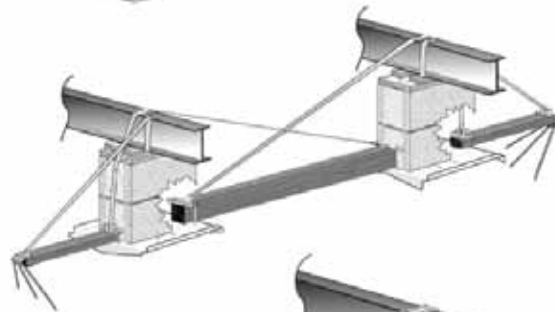
Vector System
 For Lateral Stabilization
 Block Pads
 Part #4859018
 Kit includes: 2 pans, swivel straps, strap protectors,
 pan connectors, slotted bolts & Hardware.
 Optional: Steel Compression Member



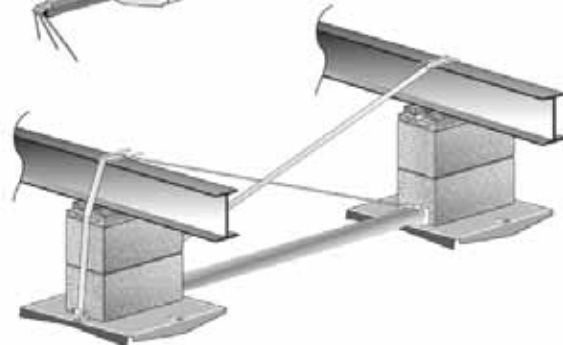
Vector System
 For Lateral Stabilization for Concrete (Single Block)
 Part #4859036
 Kit includes: 2 concrete pans, swivel straps, strap
 protectors, concrete brackets, slotted bolts
 & Hardware.
 Optional: Steel Compression Member



Vector System
 For Lateral Stabilization for Concrete (Double Block)
 Part #4859049
 Kit includes: 2 concrete pans, swivel straps, strap
 protectors, concrete brackets, slotted bolts
 & Hardware.
 Optional: Steel Compression Member



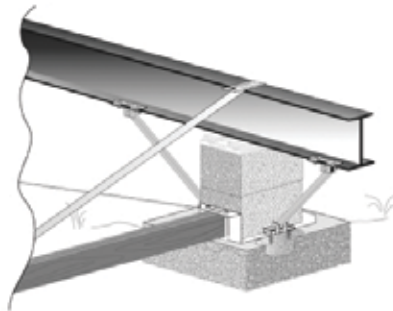
Vector System
 For Lateral Stabilization Difficult/Rocky Soils.
 For use on single section units only.
 Kit includes: 2 adapter heads and 6 rods
 Must be used with:
 #4859018 - Vector for single/double block pads



3 Sq. Ft. Pad Vector System
 Part #4859271 - Vector 3 Sq. Ft. pad
 (sold individually, 2 required for lateral,
 1 for longitudinal systems)

Part #4859024 - Vector Lateral Hardware Kit (Florida)
 Kit Includes: U-bolts, strap protectors,
 pan connectors, PVC adapter, nuts & bolts
 (swivel strap and slotted bolts not included)

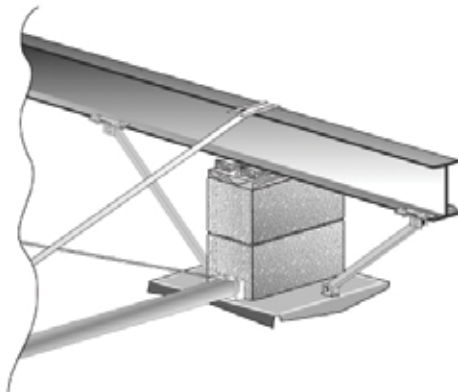
Vector Systems: Longitudinal Stabilization



Longitudinal Stabilization Hardware Kit for Concrete

Part #4859023 - Includes 2 beam clamps, tension brackets, nuts and bolts. (for use with #4859036 & 4859049, longitudinal struts not included)

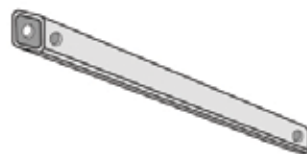
Part #4810733-Vector Long Hardware Kit



3 Sq. Ft. Pad Vector Longitudinal System

Part #4859026

Kit Includes: 2 beam clamps, 2 tension brackets, nuts & bolts. (for use with #4859271, longitudinal struts not included)

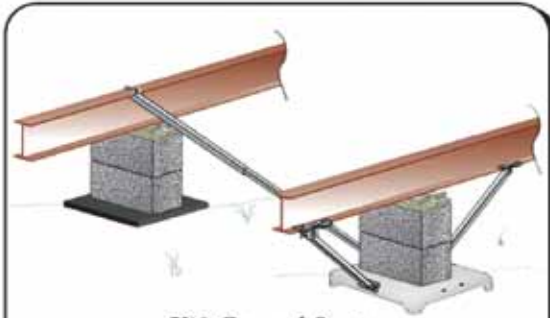


Struts for Longitudinal Systems

Part #	Length	Pier Height
#4859016	30"	up to 2 Blocks
#4859012	39"	up to 3 Blocks
#4859013	44"	up to 4 Blocks
#4859014	53"	up to 5 Blocks
#4859015	65"	up to 6 Blocks

Xi2 Ground Foundation System

“Two Systems for Most States Except Florida and California”



Xi2 Ground System
Part #4859306
Includes: 5' Strut, Pad, & Hardware



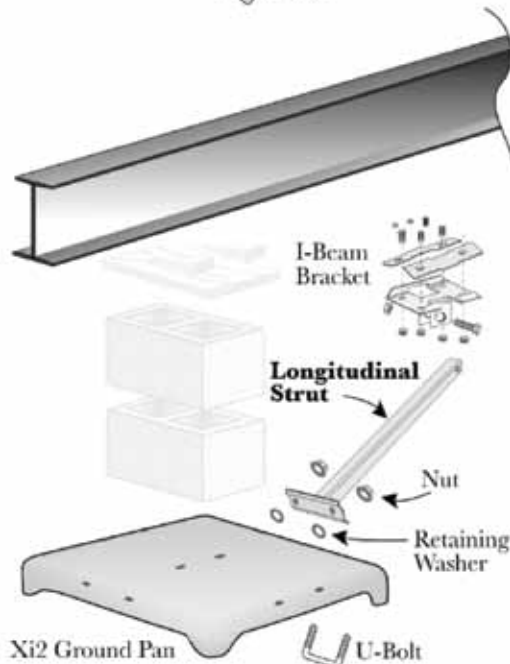
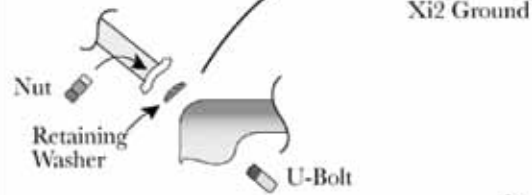
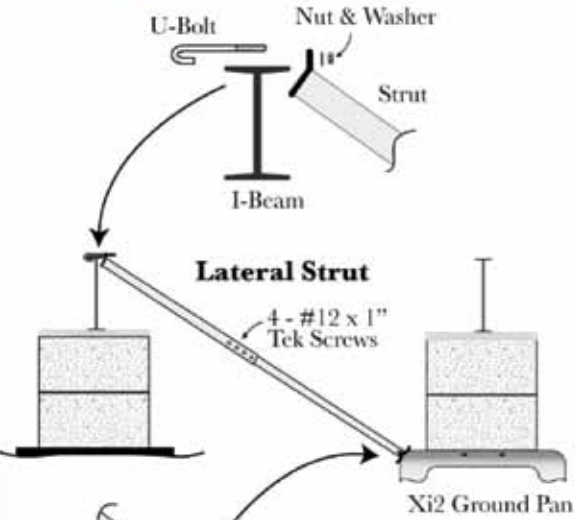
Shown with two longitudinal struts for Wind Zones II & III

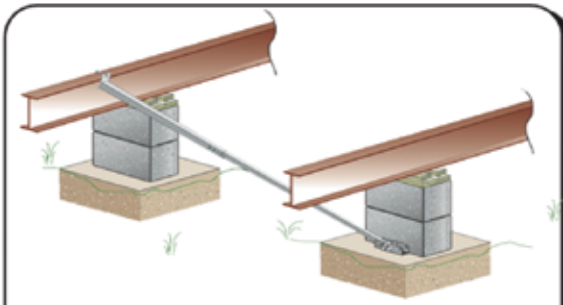
Longitudinal Hardware Kit

Part #4859331- Includes hardware for 2 struts: I-beam brackets, U-bolts, nuts, bolts and washers

Longitudinal Struts for “Ground Systems”

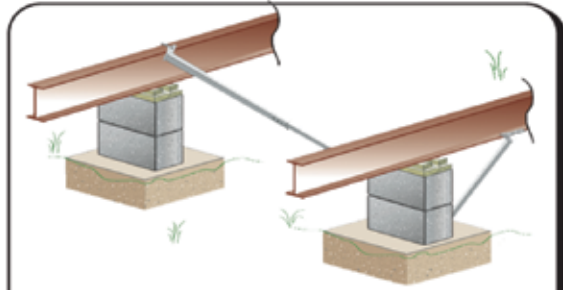
Part No.	Length	Pier Height
#4859330-30	30"	up to 2 Blocks
#4859330-39	39"	up to 3 Blocks
#4859330-44	44"	up to 4 Blocks
#4859330-53	53"	up to 5 Blocks
#4859330-65	65"	up to 6 Blocks





Xi2 Concrete Systems

Includes: 5' Strut, Bracket, & Hardware
 "Dry Set" Concrete System Part #4859307
 "Wet Set" Concrete System Part #4859328
 Hardware Kit Concrete System Part #4859263

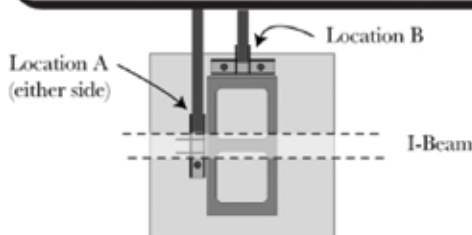


Longitudinal Hardware Kit

Part # 4859263—Includes hardware for 2 struts:
 I beam bracket, nuts, bolts and washers
 Part # 4859023—Stabilizer hardware kit long,
 for concrete

Longitudinal Struts for "Concrete Systems"

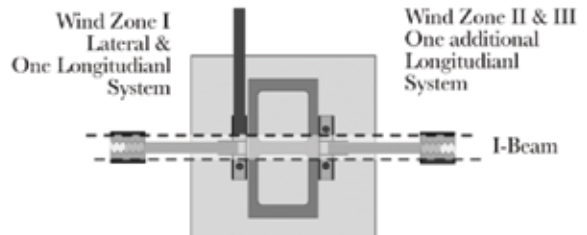
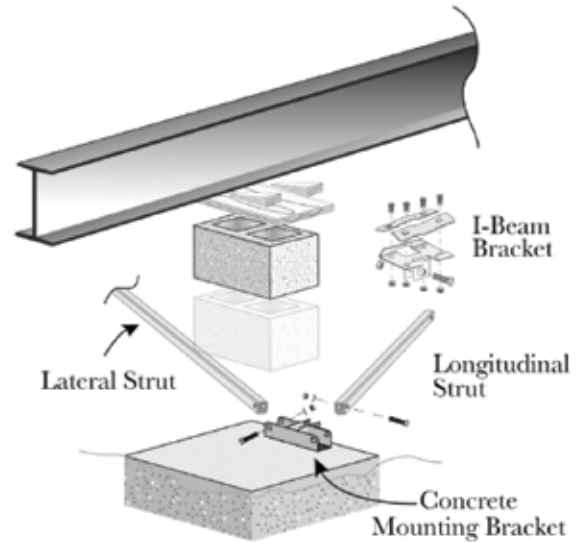
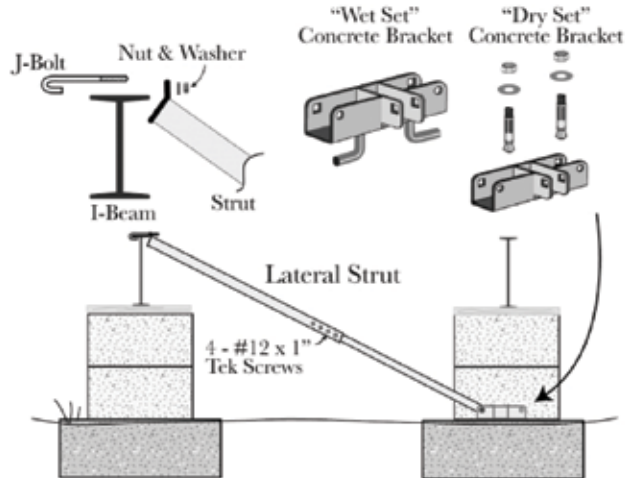
Part No.	Length	Pier Height
#4859016	30"	up to 2 Blocks
#4859012	39"	up to 3 Blocks
#4859013	44"	up to 4 Blocks
#4859014	53"	up to 5 Blocks
#4859015	65"	up to 6 Blocks



Lateral Stabilization with Concrete Brackets can be mounted in two locations

Xi2 Concrete Foundation System

"Two Systems for Most States Except Florida and California"



Longitudinal Stabilization with Concrete Brackets can only be mounted in location "A" with lateral strut



Xi Steel Pier System

Xi Steel Pier with Longitudinal System
Includes: steel pier/longitudinal struts and foundation base pad
4859321- Xi, for 12" Height
4859314- Xi, for 25.5" Height
4859317- Xi, for 36" Height

Lateral Stabilization Struts
Steel Piers can be combined with one of the following for lateral support:
4859345 - Xi, Lateral Strut, 5' w/hardware
4859348 - Xi, Lateral Strut, 6' w/hardware

